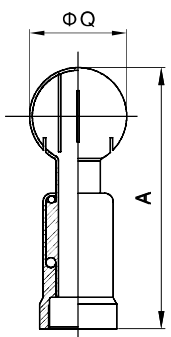


旋转式清洗球 Rotary Cleaning Ball

ST-V1091 螺纹式
Threaded

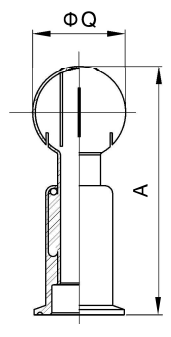


Size	A	Q
1"	140.0	53.0
1 1/4"	160.0	53.0
1 1/2"	170.0	63.0
2"	192.0	76.0
2 1/2"	220.0	91.0

技术参数 Technical parameter

Size	Pressure (bar)	Cleaning radius (m)	Fluxation m ³ /h
1"~1.5"	2	1.25	12
2"	2	1.5	38
2.5"	2	2.0	38

ST-V1092 卡箍式
Clamped

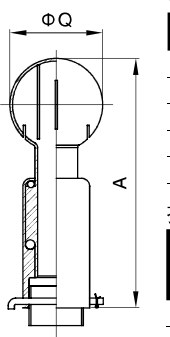


Size	A	Q
1"	138.0	53.0
1 1/4"	138.0	53.0
1 1/2"	138.0	53.0
2"	168.0	63.0
2 1/2"	190.0	76.0

技术参数 Technical parameter

Size	Pressure (bar)	Cleaning radius (m)	Fluxation m ³ /h
1"~1.5"	2	1.25	12
2"	2	1.5	38
2.5"	2	2.0	38

ST-V1093 插销式
Bolted

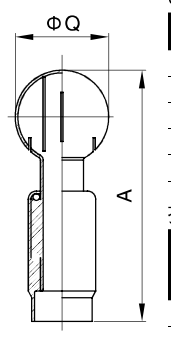


Size	A	Q
1"	135.0	53.0
1 1/4"	137.0	53.0
1 1/2"	137.0	53.0
2"	168.0	63.0
2 1/2"	190.0	76.0

技术参数 Technical parameter

Size	Pressure (bar)	Cleaning radius (m)	Fluxation m ³ /h
1"~1.5"	2	1.25	12
2"	2	1.5	38
2.5"	2	2.0	38

ST-V1094 焊接式
Welded



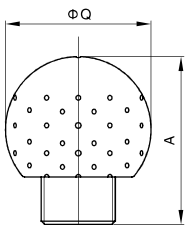
Size	A	Q
1"	143.0	53.0
1 1/4"	145.0	53.0
1 1/2"	145.0	53.0
2"	180.0	63.0
2 1/2"	200.0	76.0

技术参数 Technical parameter

Size	Pressure (bar)	Cleaning radius (m)	Fluxation m ³ /h
1"~1.5"	2	1.25	12
2"	2	1.5	38
2.5"	2	2.0	38

固定式清洗球 Fixed Cleaning Ball

ST-V1095 螺纹式
Threaded

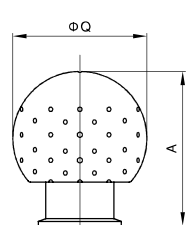


Size	A	Q
1"	72.0	63.0
1 1/4"	85.0	76.0
1 1/2"	87.0	76.0
2"	102.0	91.0

技术参数 Technical parameter

Size	Pressure (bar)	Cleaning radius (m)	360° / 180° Fluxation m ³ /h
1"	2.5	1.0-1.25	17/10
1.1/4~1.1/2"	2.5	1.25-1.75	23/17
2"	3.5	2.0-3.0	55/38
2 1/2"	3.5	3.0-3.5	58/41

ST-V1096 卡箍式
Clamped

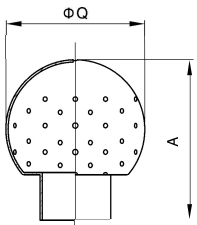


Size	A	Q
1"	80.0	63.0
1 1/4"	93.0	76.0
1 1/2"	93.0	76.0
2"	108.0	91.0
2 1/2"	115.0	100.0

技术参数 Technical parameter

Size	Pressure (bar)	Cleaning radius (m)	360° / 180° Fluxation m ³ /h
1"	2.5	1.0-1.25	17/10
1 1/4~1 1/2"	2.5	1.25-1.75	23/17
2"	3.5	2.0-3.0	55/38
2 1/2"	3.5	3.0-3.5	58/41

固定式清洗球 Fixed Cleaning Ball

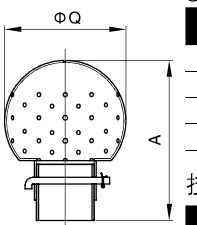


ST-V1097 焊接式
Welded

Size	A	Q
1"	72.0	53.0
1 1/2"	85.0	63.0
2"	87.0	91.0
2 1/2"	102.0	100.0

技术参数 Technical parameter

Size	Pressure (bar)	Cleaning radius (m)	360° /180° Fluxation m³/h
1"	2.5	1.0~1.25	17/10
1 1/4~1 1/2"	2.5	1.25~1.75	23/17
2"	3.5	2.0~3.0	55/38
2 1/2"	3.5	3.0~3.5	58/41



ST-V1098 插销式
Bolted

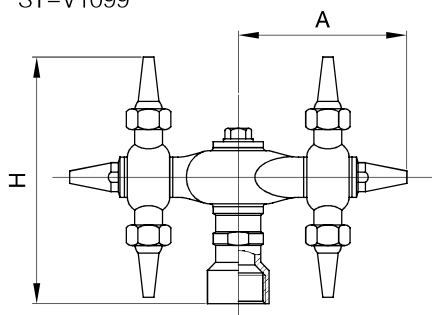
Size	A	Q
1"	95.0	63.0
1 1/2"	110.0	76.0
2"	125.0	91.0
2 1/2"	135.0	100.0

技术参数 Technical parameter

Size	Pressure (bar)	Cleaning radius (m)	360° /180° Fluxation m³/h
1"	2.5	1.0~1.25	17/10
1 1/4~1 1/2"	2.5	1.25~1.75	23/17
2"	3.5	2.0~3.0	55/38
2 1/2"	3.5	3.0~3.5	58/41

旋转式清洗器 Rotary Cleaner

ST-V1099

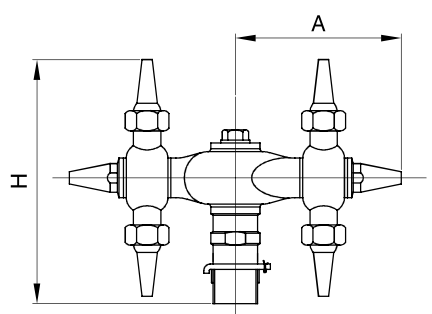


技术参数 Technical parameter

Size	A	H	Pressure (bar)	Cleaning radius (m)	Fluxation m³/h
1"	118.0	165.0	1.5~2.0	2.0~3.0	23
1 1/4~1 1/2"	142.0	189.0	1.8~2.5	2.5~3.0	38
2"	145.0	191.0	2.5~3.0	3.5~4.0	60

螺纹式
Threaded

ST-V1100



技术参数 Technical parameter

Size	A	H	Pressure (bar)	Cleaning radius (m)	Fluxation m³/h
1"	118.0	175.0	1.5~2.0	2.0~3.0	23
1 1/4~1 1/2"	142.0	200.0	1.8~2.5	2.5~3.0	38
2"	145.0	205.0	2.5~3.0	3.5~4.0	60

插销式
Bolted