

操作原理  
Operating principle

- 一般操作条件下，该阀门保持关闭。
- 通过调节带有压力螺母的弹簧，该阀门被校准到一个特定的压力。
- 当管路中的压力超过特定的压力时，阀门打开，让流体通过，以此减少管道系统中的压力。
- 该阀门可以带手柄，从而实现阀门部分开启。当手柄在现场清洗过程中保持开启状态时，清洗产品可以流经阀门。

- Under normal operating conditions, the valve remains closed.
- The specific pressure is set by adjusting the spring with the pressure nut.
- When the pressure in the pipes is above the specific pressure, the valve becomes open automatically to make the liquid pass over in order to reduce the pressure in the pipes.
- The valve can be with handle in order to realize partial open. When the handle remains open on the operation spot, the detergent can flow though the flow valves.

选项  
Options

- 连接：卡箍，法兰，螺纹，焊接 DIN SMS RJT IDF 3A
- 垫圈材质：EPDM NBR
- 压力操作范围（改变弹簧）
- 装配上手柄可以部分开启阀门，现场清洗时（与泵通道一起使用）可以让流体通过。
- Connections DIN-IDF-RJT-3A-SMS, Clamp, flanges, Welding, Threded.
- Material of gasket: EPDM NBR FPM
- Pressure Ranges (changing the spring).
- The assembly with handle can open the valve partially. When CIP (with use of pump passes), the liquid can be flowed though.

技术规范  
Technical specifications

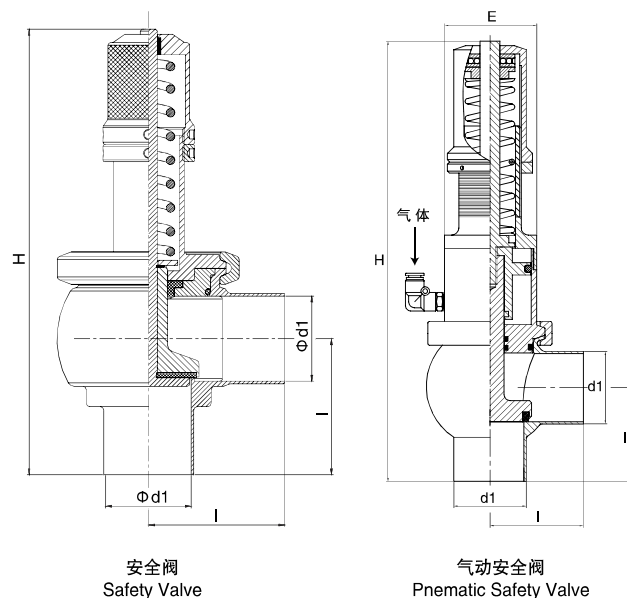
- 最大温度： 121°C (EPDM) /250°F
- 最大操作压力： 弹簧可调节 (0-3bar / 0-6bar / 0-10bar) (0-43,5PSI/0-87PSI/0-145PSI)
- Max. temperature 121°C (EPDM) /250°F
- Max. operating pressure Spring adjustable (0-3bar/0-6bar/0-10bar) (0-43,5PSI/0-87PSI/0-145PSI)

ST-V1067 DIN

DN	d1	手动 H Manual H	气动 H Pneumatic H	I
25	26	219	275	58
40	38	250	305	60
50	50	252	305	65
65	66	284	340	75
80	81	301	355	90

ST-V1068 英寸 INCHES

DN	d1	手动 H Manual H	气动 H Pneumatic H	I
1"	22,1	219	275	58
1 1/2"	34,8	238	305	60
2"	47,5	252	305	65
2 1/2"	60,2	284	340	70
3"	72,9	301	355	90



安全阀  
Safety Valve

气动安全阀  
Pneumatic Safety Valve