

FLLOR DRAINER



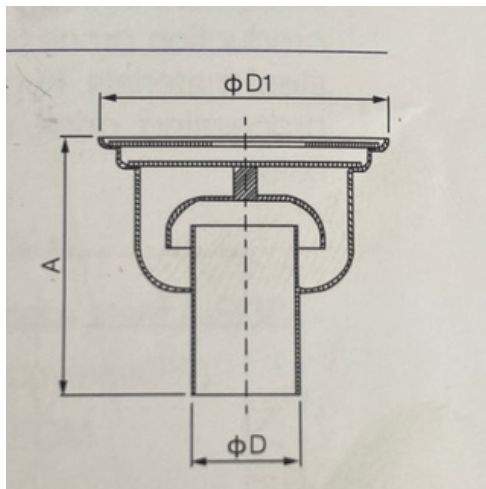
The drainer is used in the hygienic workshops of food processing, pharmacy industries.

Material: AISI 304/316L

SIZE: 1" / 4"

Metal meshes and hopper can keep dirty particulates from blocking pipeline

Cover and hopper can be cleaned to prevent bacteria from propagating.



Size	A	D	D1
1"	80	25	130
1.5"	80	38	130
2"	100	51	195
2.5"	100	63	195
3"	130	76	230
4"	130	100	230